

Laser Scanning and Design Verification Services for Industrial Facilities

Quest Integrity uses advanced 3D data capture technologies to provide analysis, quality control, documentation and decision support services to help clients eliminate the most common sources of preventable defects from across the project lifecycle.

Quest Integrity uses a fleet of advanced laser scanning systems, operated by the industry's most experienced professionals, to safely and efficiently capture the project scope. The laser scans are seamlessly merged to generate a complete and precise Digital Facility that is used as the basis for critical decision making and design verification.

Services

- + **Laser Scanning** – Utilizing the latest technology, the scan data accurately captures existing facility conditions.
- + **Intelligent 3D Models** – Advanced plant modeling software produces intelligent 3D models of piping and equipment.
- + **Design Verification** – 3D CAD designs are integrated with laser scans to confirm tie-points and ensure design is clash free.
- + **Fabrication Verification** – Spools and components are verified at the shop enabling non-conforming parts to be repaired before shipment.

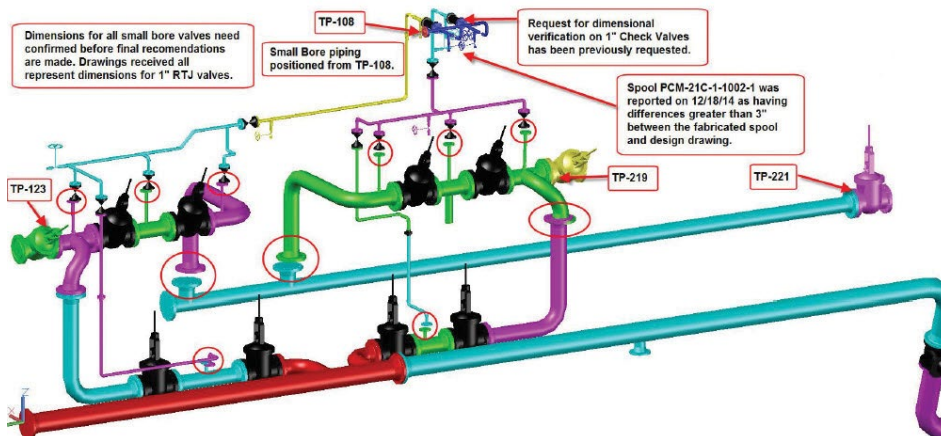


Fabricated spool doesn't match design

Solutions

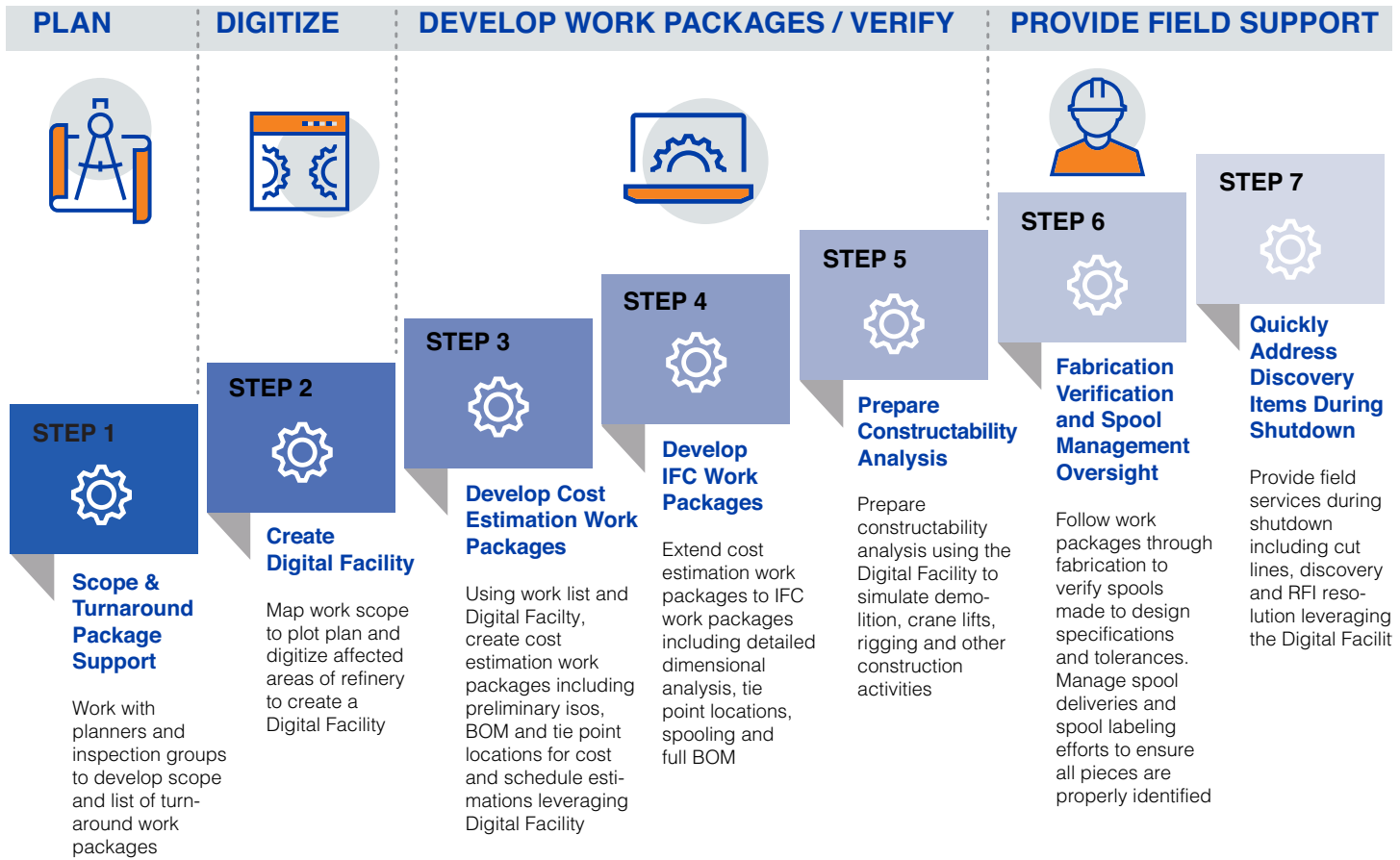
Quest Integrity provides solutions to eliminate the most common causes of project rework:

- + Inaccurate as-built information
- + Incorrect tie-points
- + Interferences
- + Fabrication errors



Intelligent 3D Model

Proven Work Process



Industry Experience

- + Industry pioneer with over 20 years of laser scanning experience
- + Over 4,000 projects across 6 continents
- + Projects from 10 to 20,000 scans
- + Experienced full time CAD Designers
- + Industry trained field specialists